

Corona type is distinguished with many features making it a highly demanded item, thanks to its remarkable design which is reflected in its compact size, making it easier to transport and require less space for installation with notable simple layout for inlet and outlet air flow ventilation. The control panel is self ventilated to stand the tough cooling requirements in high ambient temperature areas.

The specs of the Corona are the result of a long history in genset maintenance field that MTC experienced, and implemented in the design of this canopy to reach a modern, reliable, and easy to maintain generator, assuring an unquestionable challenge in all circumstances.

## CORONA

SOUND PROOF CANOPY

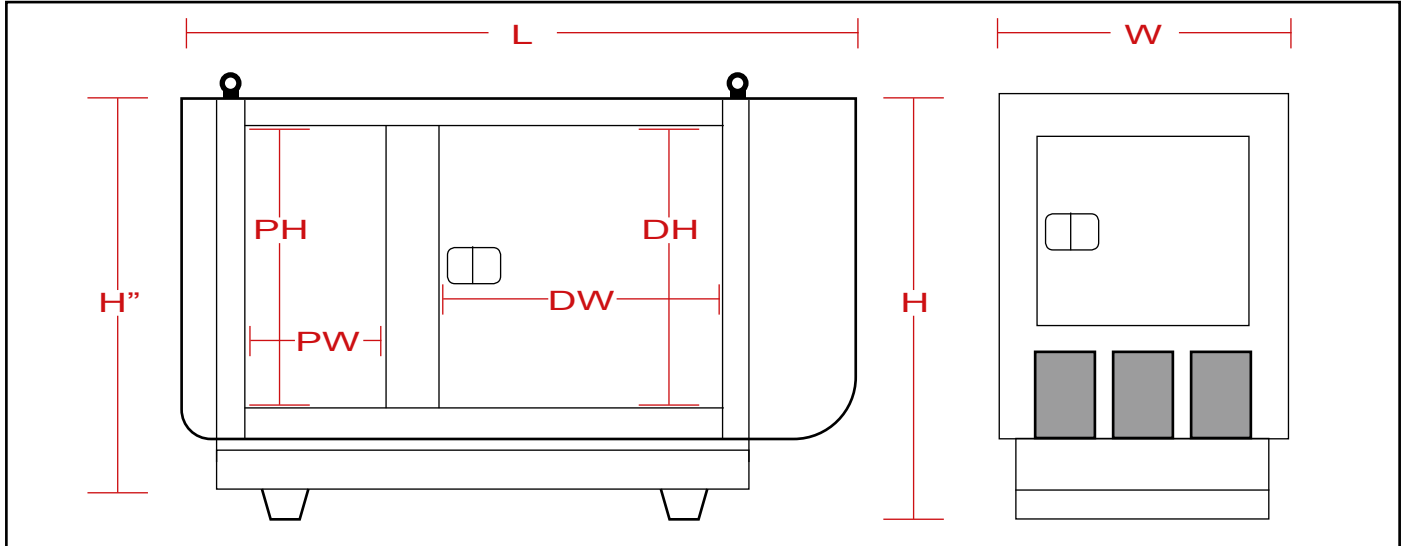
FOR GENERATOR  
SETS RANGE  
7.5 - 650 KVA



MUHIEDDINE FOR TRADE & INDUSTRY CO.  
Beirut - Lebanon - Keswani Bldg - Ground Fl. - Gallery Semaan Area  
Telfax: 00961 1 276 333 / 444  
Bekaa - Factory - Taanayel - Telfax: 00961 8 513 406/7  
Maintenance dep.: 00961 71 33 22 76 - 00961 71 33 22 67  
E-mail: [info@mtcpowersystem.com](mailto:info@mtcpowersystem.com)  
Website: [www.mtcpowersystem.com](http://www.mtcpowersystem.com)

## General Features of SPC Corona

- 1- Body is made of 1.5 - 2 mm CRS and 3 mm thickness black steel metal sheet.
- 2- Metal sheets are cleaned, degreased and free of detachable particles by a chemical removal, then they are painted, firstly by an anticorrosive primer protective film against rust and corrosion formation and secondly by applying an epoxy polyester paint and finally they are exposed to high temperature in order to form a continuous, high gloss and extremely durable coating.
- 3- Exhaust pipe is insulated with Fiber Glass Thermal Insulation which has a low density and low thermal conductivity,
- 4- Removable galvanized flexible exhaust connector used between the exhaust manifold and muffler in order to absorb all Gen-Set vibrations.
- 5- Sound Proof Canopy is insulated with fiber glass insulation with high density, heat insulator, sound insulator and fire proof.
- 6- Legs of the SPC are removable to increase container capacity.
- 7- SPC can be handled from the top and the bottom.



Sound Pressure Level 50Hz at full load (dba@m)	Gen-Set Model	(Dimensions in cm)							
		L	W	H	H1	DW	DH	PW	PH
75@5	MTP 9	190	83	127	120	79	79	39	79
	MTP 13	190	83	127	120	79	79	39	79
	MTP 20	190	83	127	120	79	79	39	79
	MTP 30	225	95	140	133	99	79	39	79
	MTP 45	225	95	140	133	99	79	39	79
	MTP 60	225	95	140	133	99	79	39	79
	MTP 80	230	100	140	133	99	79	39	79
75@5	MTP 100	265	100	173	166	109	99	39	79
	MTP 135	285	100	173	166	109	99	39	79
	MTP 150	285	100	173	166	109	99	39	79
	MTP 200	360	120	218	208	88	110	109	100
	MTP 250	360	120	218	208	88	110	109	100
	MTP 300	360	120	218	208	88	110	109	100
	MTP 350	405	140	240	230	90	130	129	100
	MTP 400	405	140	240	230	90	130	129	100
	MTP 450	430	140	240	230	90	130	129	100
	MTP 500	430	140	240	230	90	130	129	100
	MTP 600	455	184	275	263	90	130	145	105
	MTP 650	455	184	275	263	90	130	145	105

Due to continuous product development we reserve the right to change specifications at any time without prior notice